



Compact and stable

The lifting column **SE** consists of a powder coated steel guiding with cross section 50x50 mm.

The inner tube slides on plastic gliders and is moved by an inline spindle drive.

The welded side plate enables the mounting of a cross bar TA, which is also used in other systems. It is available in various standard lengths. Adjustable feet or castors can be mounted to the M10 thread inside of the inner tube.

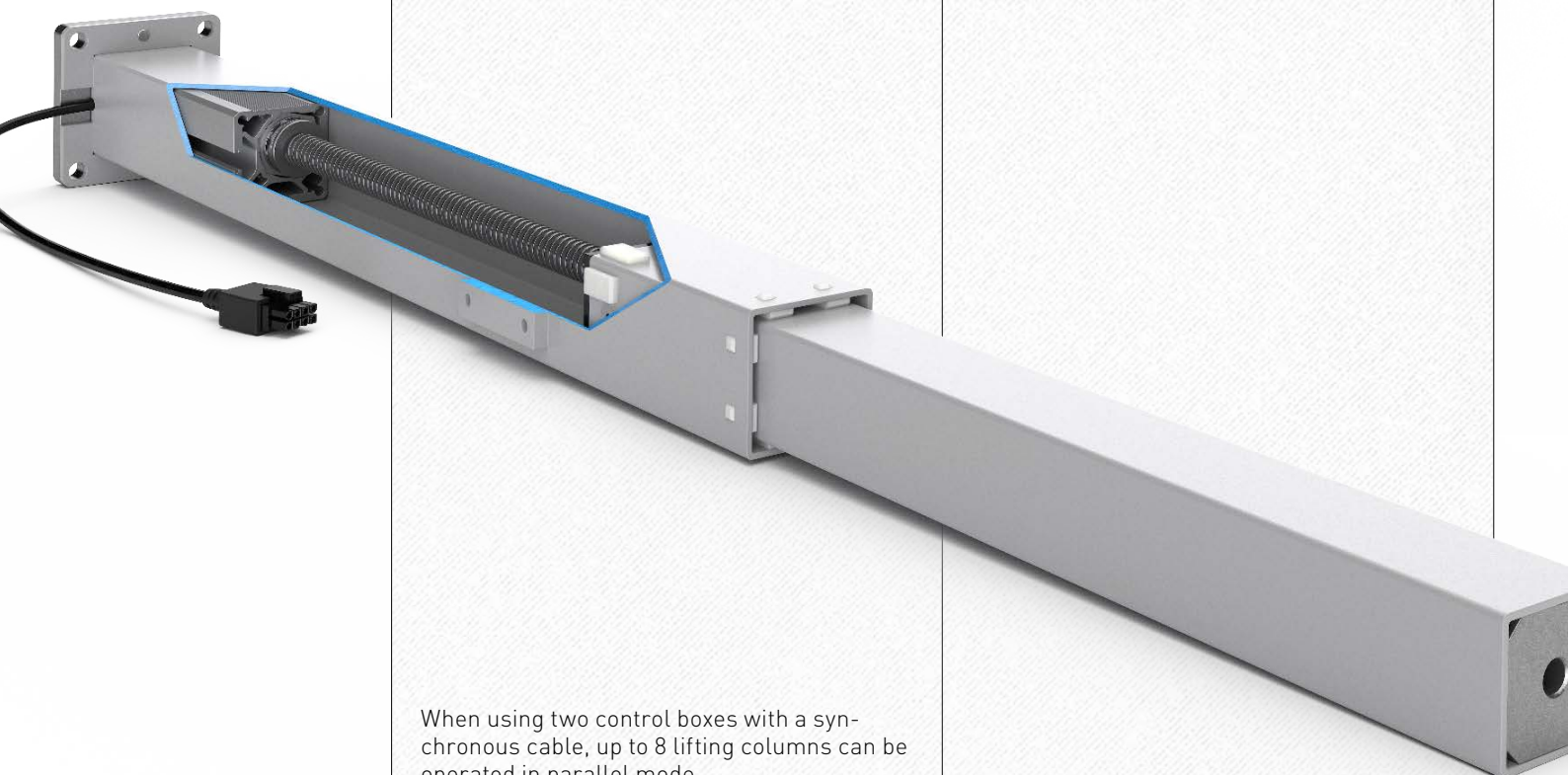
Application

The **SE** is available as a lifting system (lifting column with control unit and switch) or as a complete frame.

The system **SE** is used in applications which need ergonomic height adjustable work surfaces. For example, work benches, mounting or packing tables.

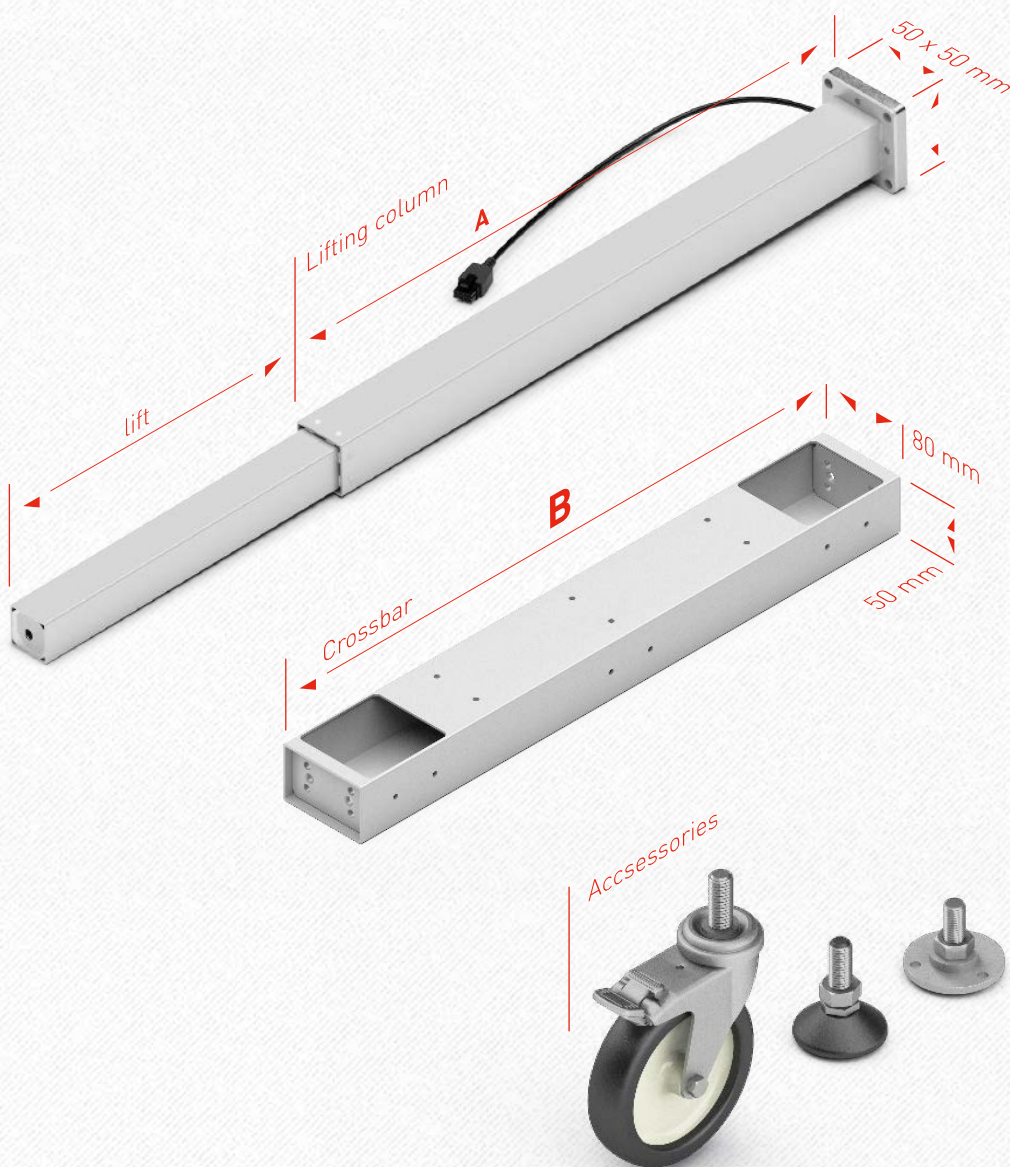
The following accessories are available:

- Crossbars in various lengths
- Articulated feet
- Castors
- Double Castors



When using two control boxes with a synchronous cable, up to 8 lifting columns can be operated in parallel mode.

Dimensions **SE**



Technical data

- Versatile lifting column with **internal** drive unit
- Compressive force per lifting element max. 1250 N
- Tensile force per lifting element max. 1250 N
- Please also note the maximum load of the entire system
- Synchronous control of 1 to 8 linear units
- Lifting speed 9 mm/s
- Stroke length 300 mm
- Mb stat. = 350 Nm
- Mb dyn. = 150 Nm
- Color: RAL 9006 white aluminum

Lifting column **SE**

	A	lift
SE 1330	640 mm	300 mm

Crossbar **SE**

	A
SE 550	550 mm
SE 750	750 mm
SE 950	950 mm
SE 1150	1150 mm
SE 1550	1550 mm

Detailed CAD drawings in various formats can be found at www.ergoswiss.com