

Control Box

T Control



Features

- ◆ T Control is a compact control box typically applies to furniture and homecare. The control box possesses high compatibility to various wired and wireless handsets and is designed to be easily mounted on FD60 actuator or other flat surface with a mounting plate.
- ◆ Main applications : furniture and homecare
- ◆ Input voltage : 100 / 120 / 230V AC (Transformer)
100~240V AC, 50/60Hz (SMPS)
- ◆ Output voltage : 24V DC
- ◆ Overload protection current : 3A (each actuator independently)
- ◆ Max. number of actuators this control box can drive : 3
- ◆ Max. number of handsets : 1
- ◆ Duty cycle : 10% or 2 min continuous operation in 20 min.
- ◆ IP protection level : IP20
- ◆ Protection class : Class II
- ◆ Color : Black, RAL 7001
- ◆ Certified : UL962, PSE, C-Tick, RoHS, EN60335-1, EN55014-1, EN55014-2, EN50366, IEC61000-3, IEC 61000-4, IEC60335-1
- ◆ Cable length : 3000mm

Options

- ◆ Safety plug to cut AC power when not in operation (SP4 or SP5)
- ◆ Mounting plate
- ◆ Internal Switching Mode Power Supply (SMPS)
- ◆ “Zero-gravity” function available for recline sofa application in combination with dedicated H4N handset to control 2 actuators.



SP4



SP5

Compatibility

1. Handset

(1) Wired :

Moteck P1 communication Type: HA, HC, HD, HF, HI, HJ, HM, H2N, H3F, H3N, H3NT, H2Z, H4N, HR, DKP4

(DIN plug with Moteck F type housing)



F type plug housing

(2) Wireless RF 2.4GHz :

TXH, TXT, TX2T, TXZ

2. Actuator

FD20, FD50, FD60, GD70,
BD60, BDF60, BDN60,
LD2, LD3, LD10, LD20

(DIN plug with Moteck F type housing)

3. Accessory

- (1) TXA RF 2.4G receiver
- (2) TBA Bluetooth receiver



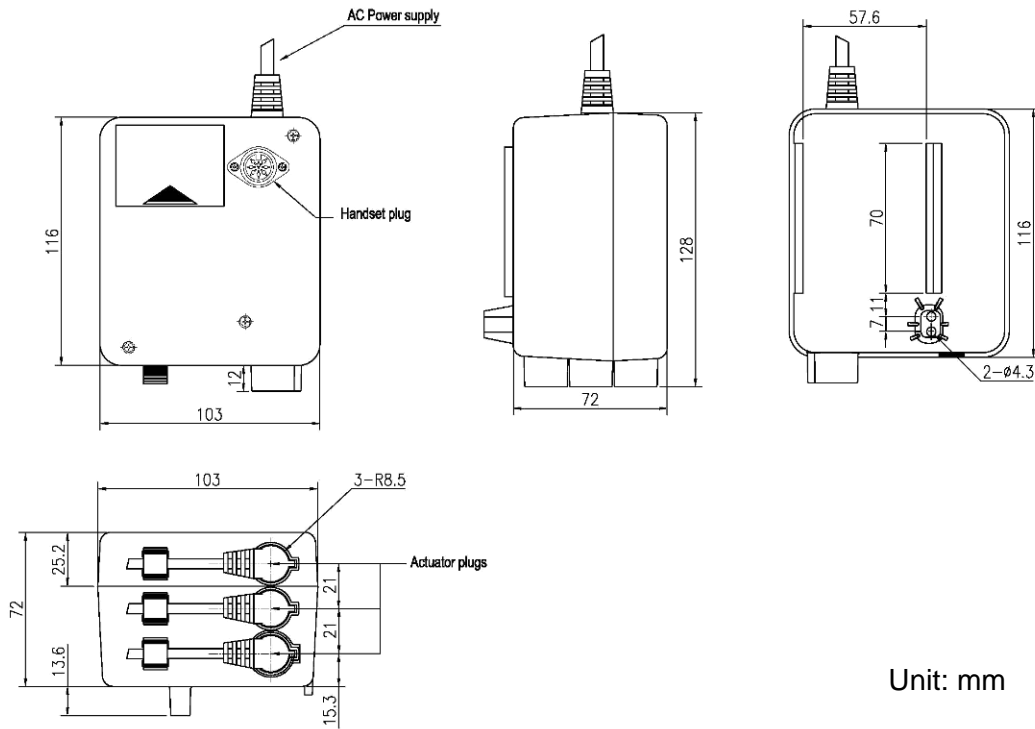
TXA receiver



TBA receiver

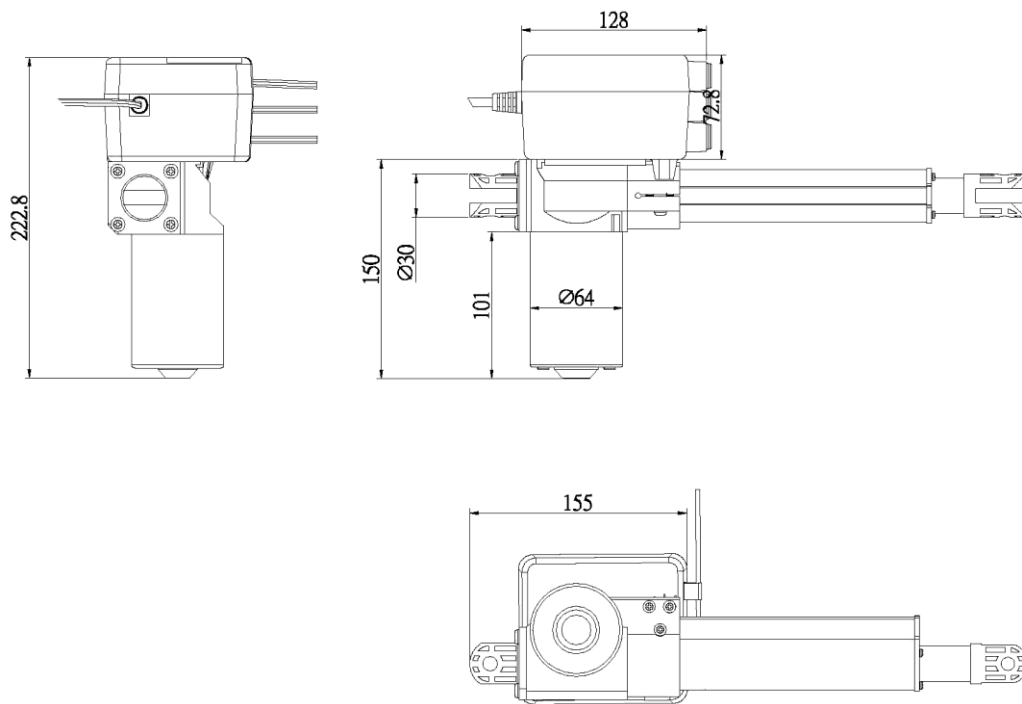
Dimension

Single unit



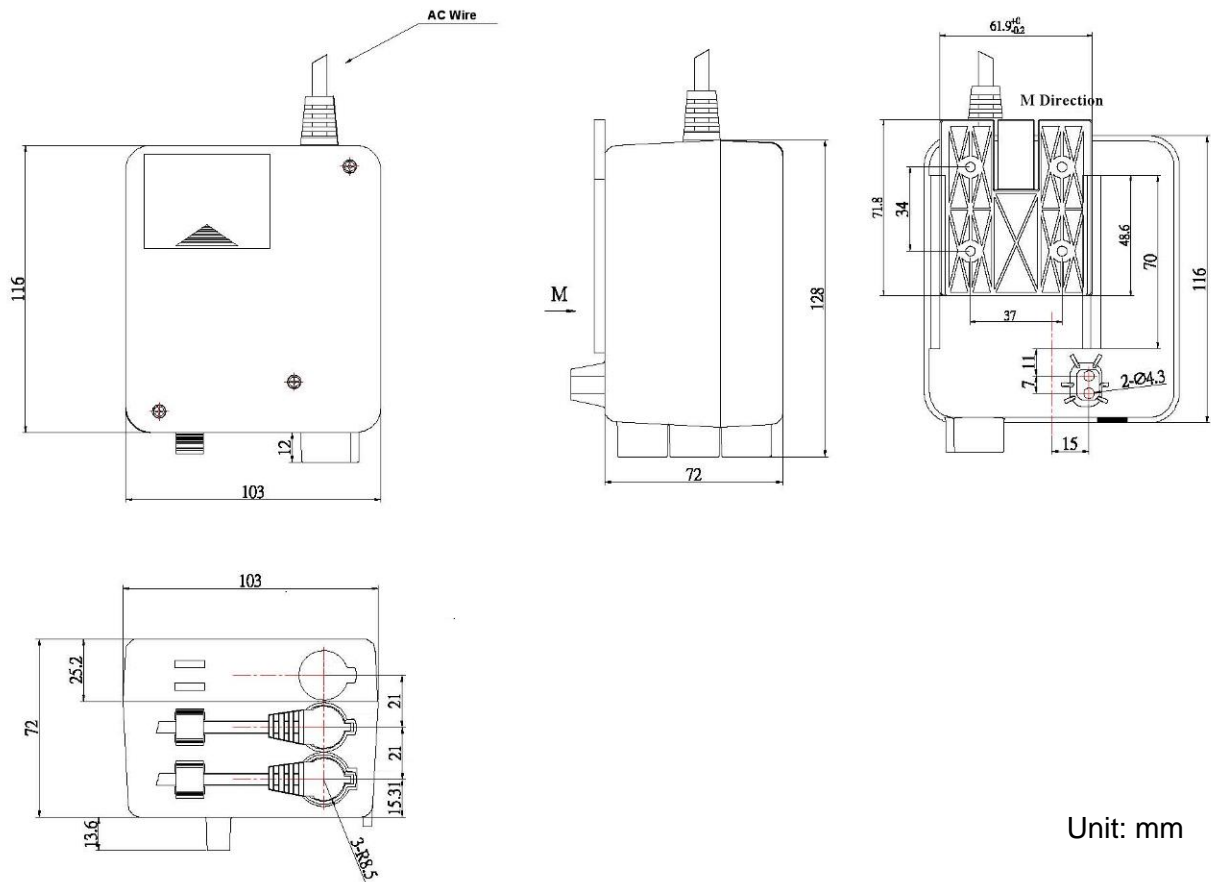
Unit: mm

Assembly with FD60 actuator



Unit: mm

Assembly with mounting plate



Unit: mm

Power cord list

Power Cord Type	Length (mm)
Standard	3000
SP4 safety plug	3000
SP5 safety plug	3000

Ordering Key

T—□□□—24—□—□□□

Input

100 : 100V AC

120 : 120V AC

230 : 230V AC

IS2 : Internal SMPS (100~240V AC)

Output

24 : 24V DC

Number of Motor

1 : 1 Actuator

2 : 2 Actuators

3 : 3 Actuators

Option

Blank : None

SP4 : Safety Plug, wall-mount plug type

SP5 : Safety Plug, cord plug type

Terms of Use

The user is responsible for determining the suitability of MOTECK products for specific applications. Due to continuous development in order to improve its products, MOTECK products are subject to frequent modifications and changes without prior notice. MOTECK reserves the right to discontinue the sale of any products displayed on its website or listed in its catalogue or other written materials drawn up by MOTECK.